



Altair

HyperWorks

Altair HyperView 2019 Tutorials


HV-5010: Using Exploded View

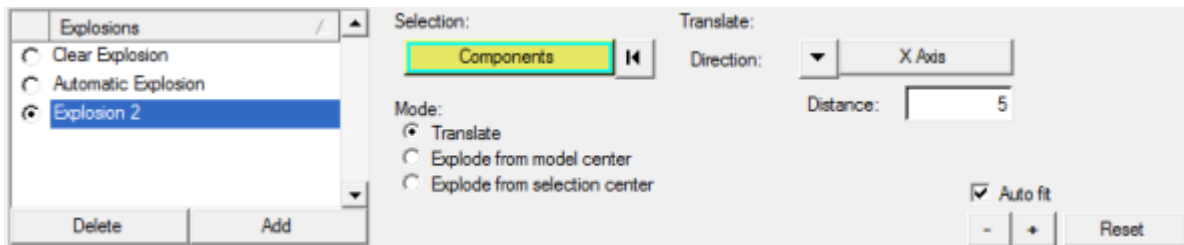
HV-5010: Using Exploded View

In this tutorial, you will:

- Perform an automatic explosion
- Translate a part/component
- Translate a portion of the model
- Explode the model from the selection center
- Explode the model from the model center

Tools

To access the **Exploded View** panel, click the **Exploded View** panel button  on the **Visualization** toolbar.





The **Exploded View** panel allows you to explode models so you can adjust your view of the model.

Exercise: Using the Exploded View Panel

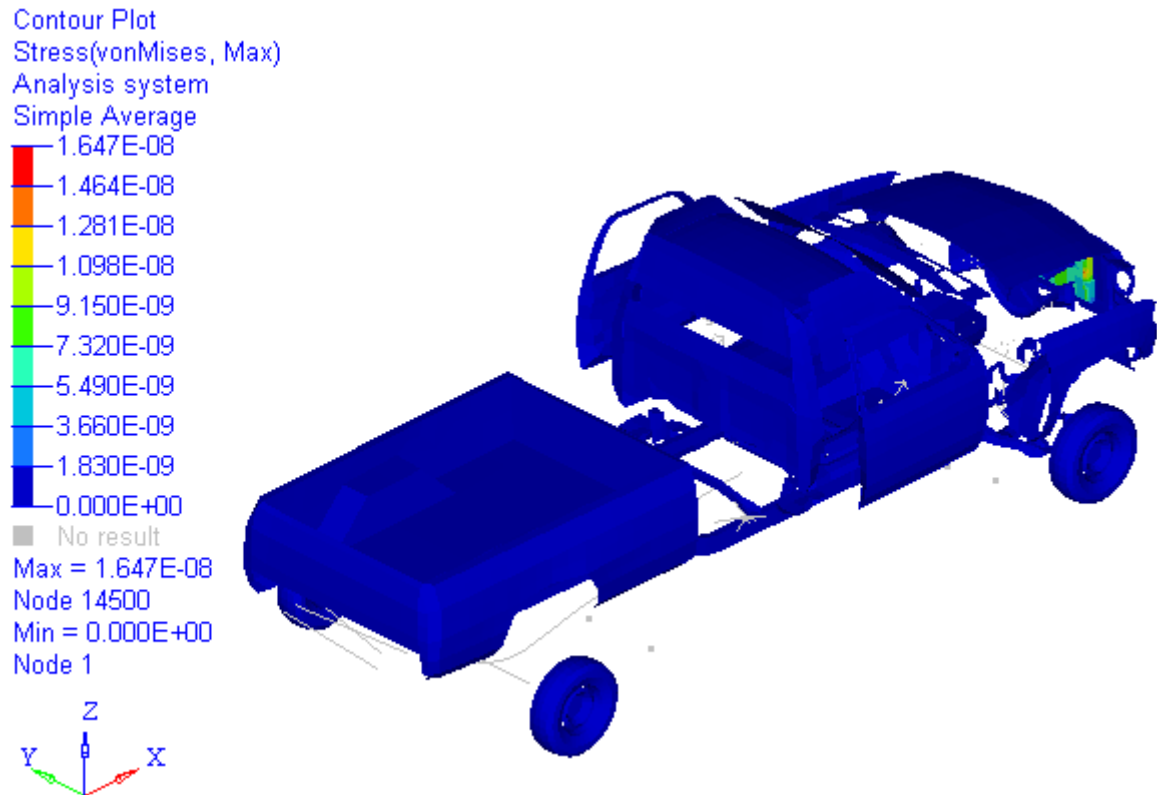
This exercise uses the `d3plot` file as both the model and the results file.

Step 1: Perform an automatic explosion.


1. Load the `d3plot` file, located in the `animation\truck` folder.
2. Click the **Contour** panel button  on the **Result** toolbar.
3. Contour the model.
 - Select **Stress (t)** for the result type and **vonMises** for the data component.
 - Select **Simple** averaging using the analysis system.
 - Click **Apply**.
4. Select the **Exploded View** panel button  on the **Visualization** toolbar.

5. Activate the **Automatic Explosion** radio button.

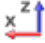
The model automatically explodes based on pre-defined settings for center of gravity, direction, and magnitude.




Step 2: Translate a part/component.

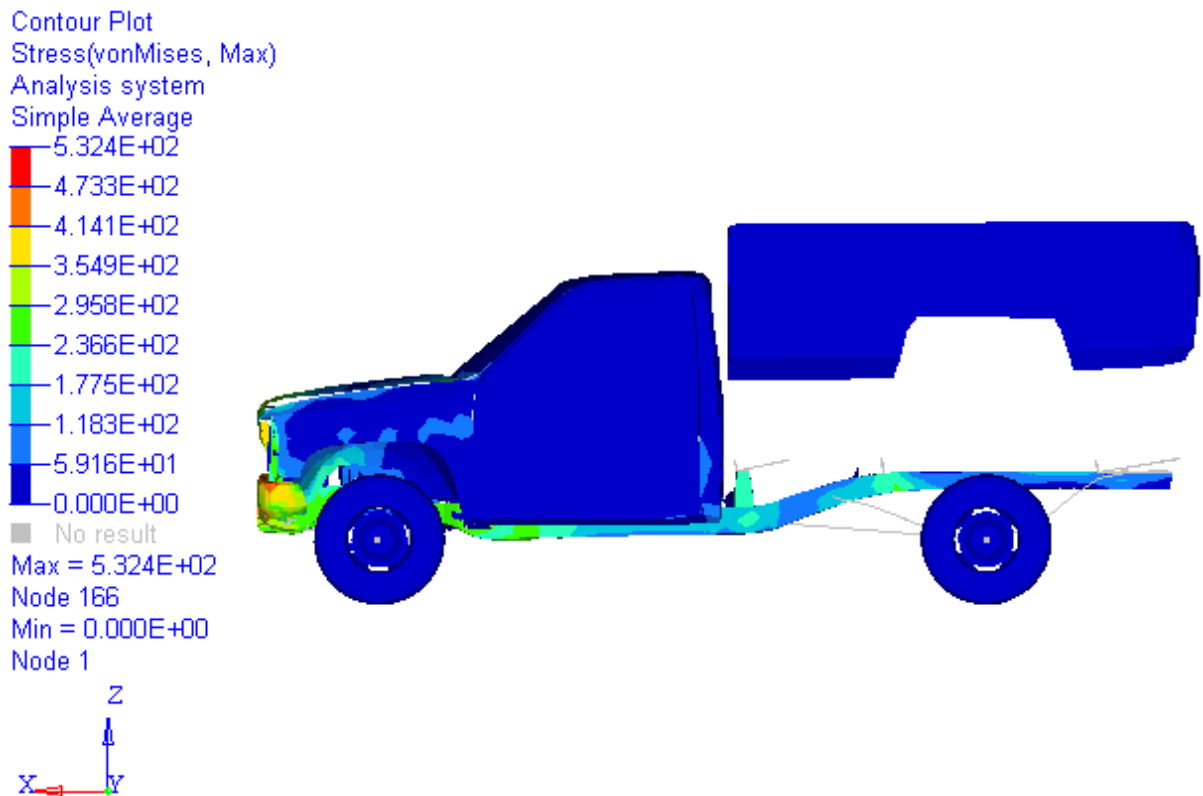
1. Click **Add**.
2. Pick the truck bed from the model on the screen.
3. Change the **Direction** to **Z Axis**.
4. Press  for several seconds and observe the movement of the truck bed.

The truck bed is translated upward.

5. Choose the right view of the truck, by clicking on the **XZ Right Plane View** button  on the **Standard Views** toolbar.

6. Animate the model .

The animation shows the simultaneous movement of the entire exploded model.

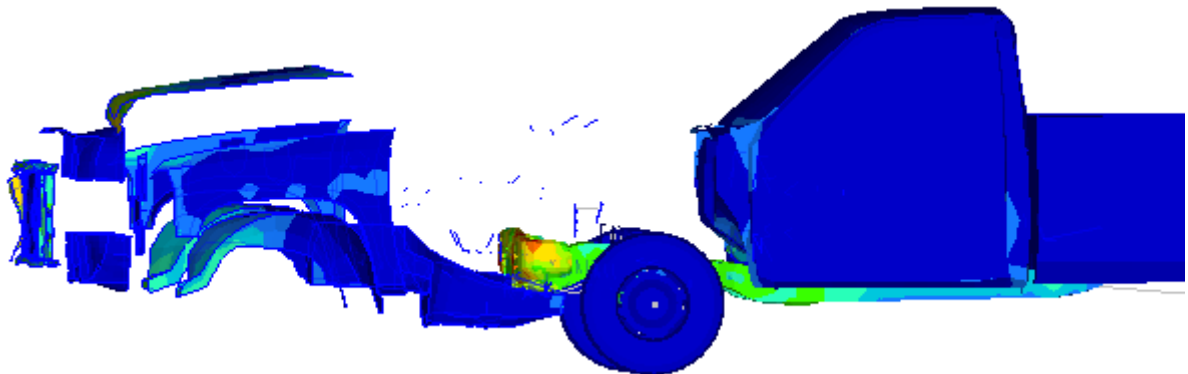


7. Stop the animation.

Step 3: Explode the model from the selection center.

1. **Add** another explosion.
2. Select **Explode from selection center**.
3. Use the quick window mode to select the front end of the model.

The front end automatically explodes.



Step 4: Explode the model from the model center.

1. **Add** another explosion.
2. Select **Explode from model center**.
3. Verify the **Scale factor** is set to **Uniform**.
4. Click
5. Change the **Scale factor** to **Component**.
6. Enter:
 - 1 for **X**
 - 0 for **Y**
 - 0 for **Z**
7. Click to move the selected components in X direction only.

You can activate the radio button on the list of exploded views during a presentation. The model is displayed based on the saved exploded view that is activated.